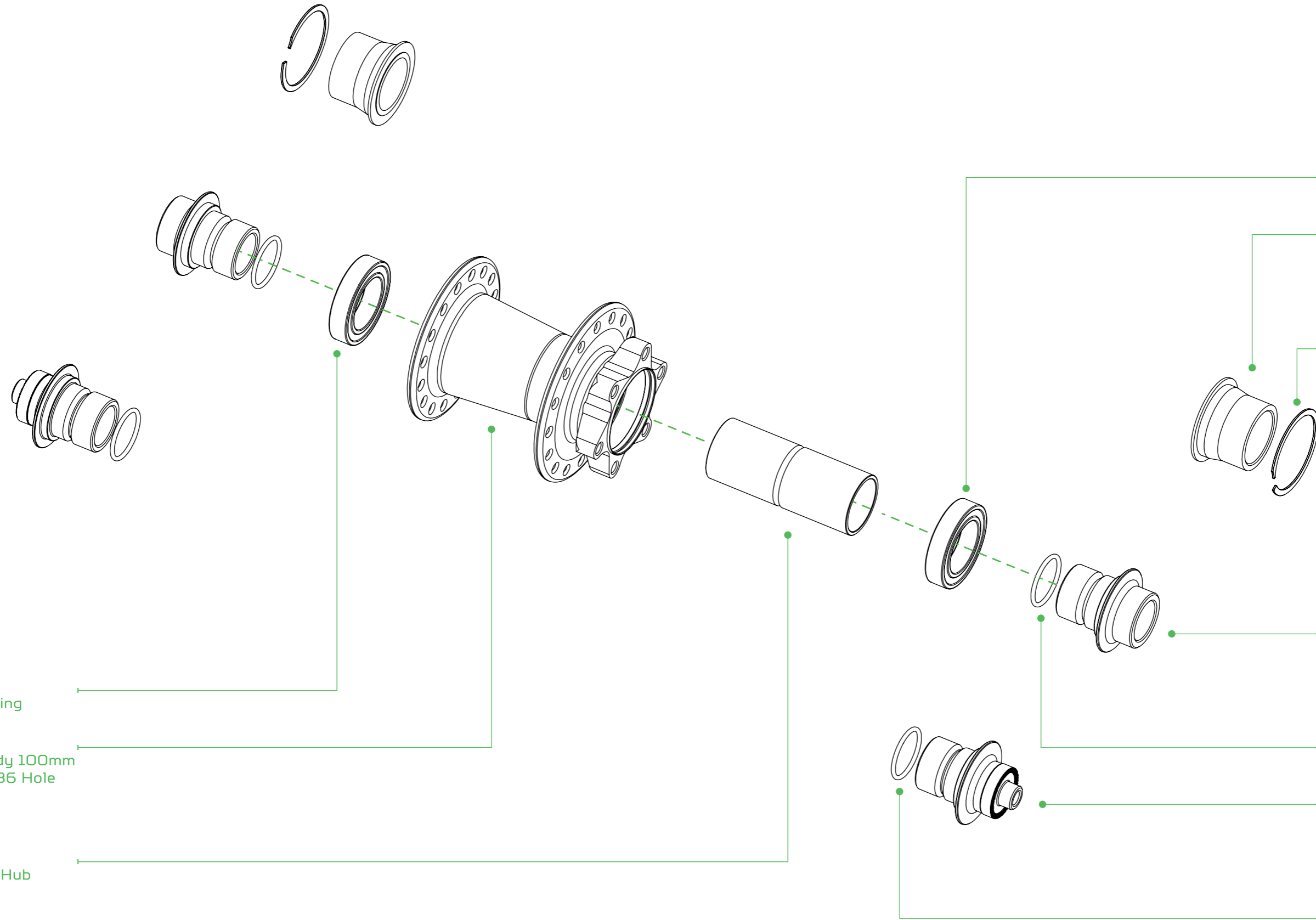




# PRO5 FRONT HUB ASSEMBLY STANDARD\_100mm

# PRO5



**S6804**  
20x32x7 Bearing

**HUB1018-16**  
Front Hub Body 100mm  
24-28-32 or 36 Hole

**HUB214**  
100mm Front Hub  
Centre Tube

**S6804**  
20x32x7 Bearing

**HUB420**  
Front Hub Ø20mm  
Spacer Kit

**HUB455**  
Front Hub Circlip

**HUB441**  
Front Hub Ø15mm  
Spacer Kit

**HUB482**  
Front Hub Ø12mm  
Spacer Kit

**O'Ring**  
Ø17x1.5

**HUB419**  
Front Hub QR  
Spacer Kit

**O'Ring**  
Ø17x1.5